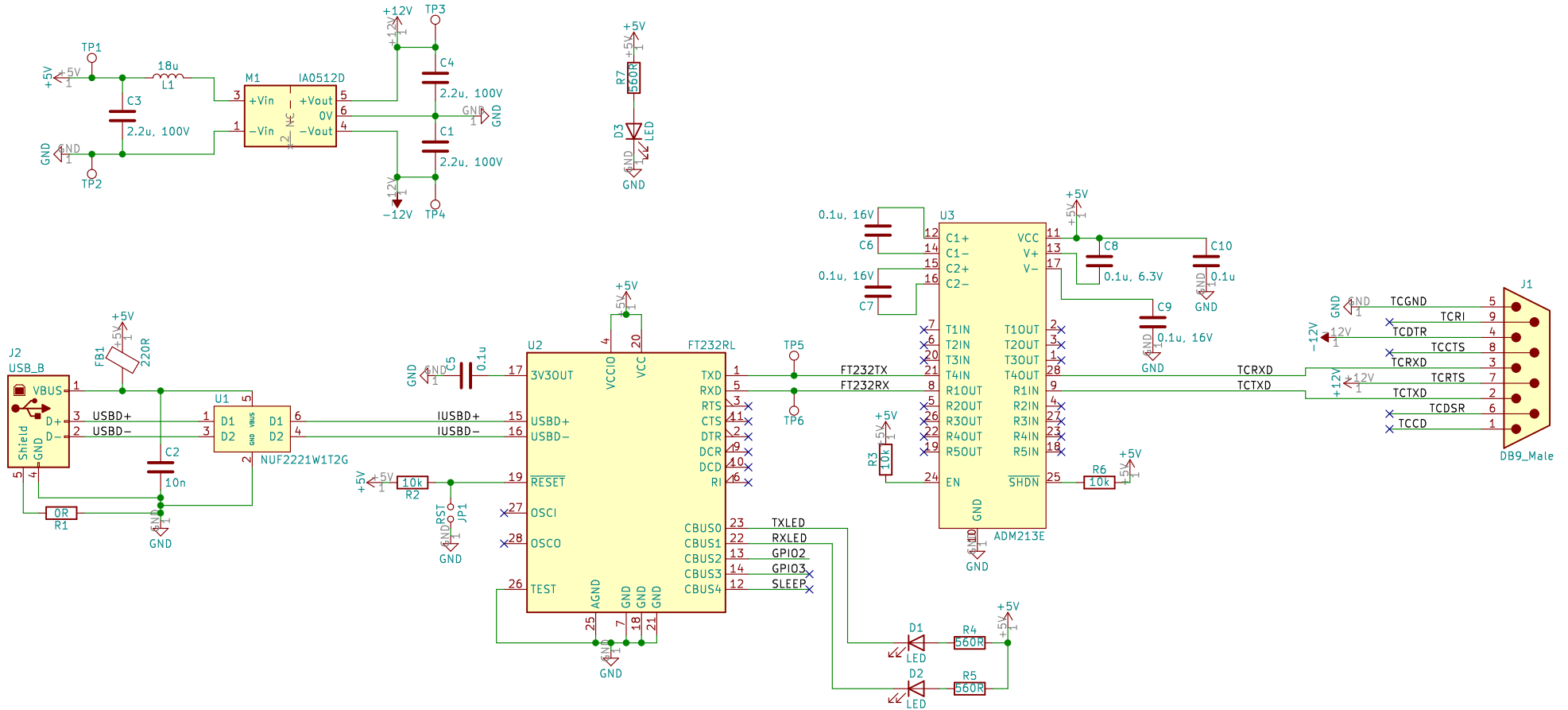


+/- Rails Required
Minimum 7V
35mA real draw measured



Sheet: /	
File: TC-08 USB Interface.sch	
Title: TC-08 (RS-232) USB Interface Board	
Size: A4	Date: 2020-10-05
KiCad E.D.A. kicad (5.1.9)-1	Rev: A
	Id: 1/1